

hyon

german engineered
performance waterproofing

INSIDE

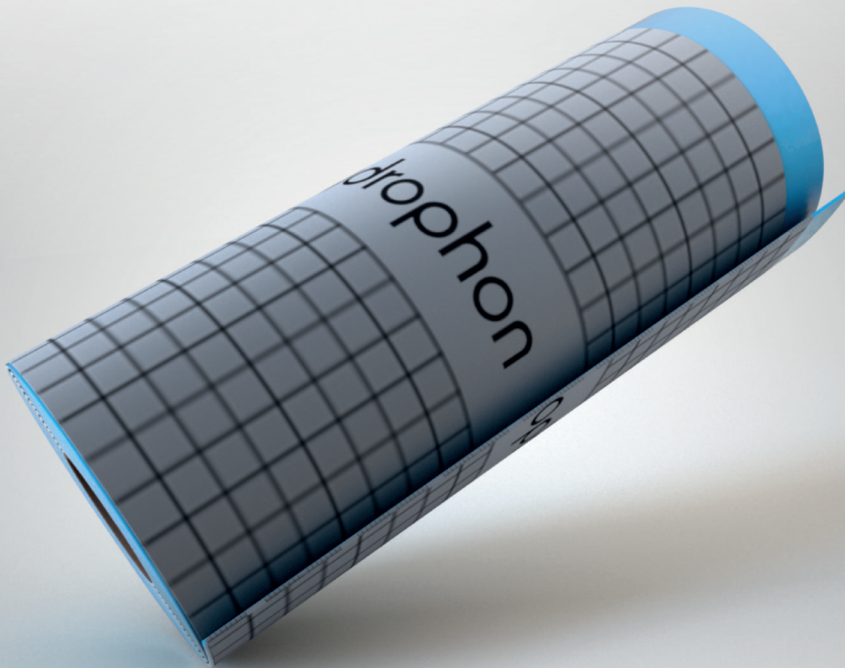


Wall Sealing Set

Installations instructions



MADE IN
GERMANY



Installation instructions:

We recommend an adhesive test on the wall and a visual inspection of the adhesive tapes before each wall sealing set installation!

The following processing instructions must be observed in any case:

- Room temperature from +10°C
- Wall and floor surfaces must be dust-free.
- Sealing tapes must be dry and free of dirt.
- Sealing must always be carried out in accordance with ETA-20/0025.
- The substrate must be dry and load-bearing.
- The surface must always be primed in accordance with ETA-20/0025.
- Our primer spray should always be used for plaster and aerated concrete blocks.
- The sealing system can be attached to all standard wall structures.
- Before laying the tiles, the tile adhesive must always be applied to the fleece of the sheet material (buttering floating method).

As soon as all the requirements have been met, nothing stands in the way of an optimum and fast application.

Storage instructions:

We recommend the following storage and application instructions in connection with the wall sealing set:

- Avoid sunlight and UV rays.
- Store in a dry, dust-free and frost-free place.
- Roll up the remaining rolls neatly and seal them in the box.
- The wall sealing set should be used no later than 12 months after delivery.

Processing and processing temperature:

The pressure (at least 20 N/mm²) is applied with the enclosed pressure tool.

When applying and pressing on the sealing membrane, an adhesive strength of approx. 60-70% is already achieved. The full adhesive strength of adhesives is only achieved after 24 hours.

The most favorable processing temperature for a pressure-sensitive adhesive tape is between +10°C and +35°C. For pressure-sensitive adhesives applied at low temperatures, the initial strength of the bond is reduced.

Table of contents

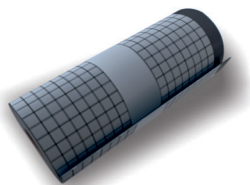
Products, extension and tools

A	Preparation of the wall	04
B	Connection to shower tray/shower base with tub sealing tape	04
C	Sealing the transitions in the wall area	05
D	Wall sealing	06

Products



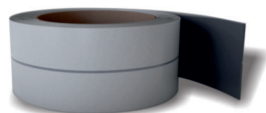
Tub Sealing Tape
2,2m



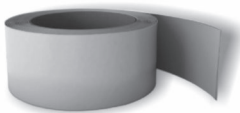
Sealing membrane
500mm, 8m



Primerspray 500ml
dyed green



Cornertape, 100mm, 2 m



Final Tape, 100mm, 4m



Wall sleeves, 1/2", 2 pcs

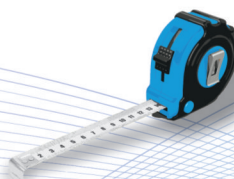
Tools



Cutterknife



Scissors

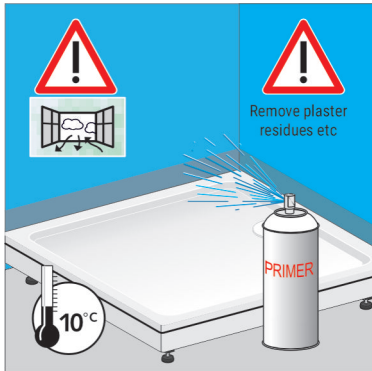


Measuring tape



Pen

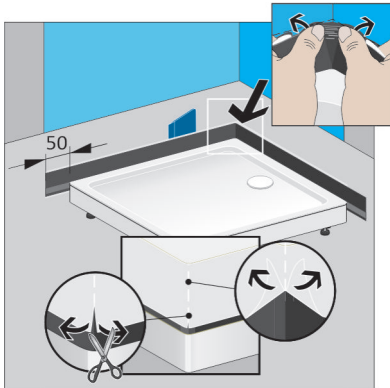
A. Preparation of the wall



Shake the primer spray for 20 seconds.
Then apply to the wall at a distance of 10 cm.

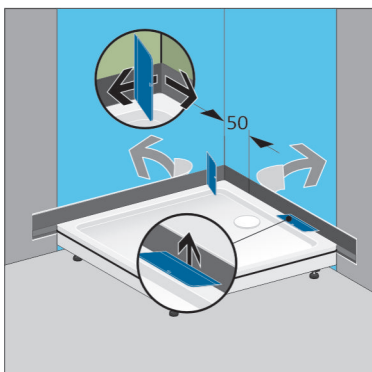
Apply at a minimum temperature of 10 °C.
Allow to evaporate for 5-10 minutes after spraying.
Apply with open window or ventilation.

B. Connection to shower tray/shower base with tub sealing tape



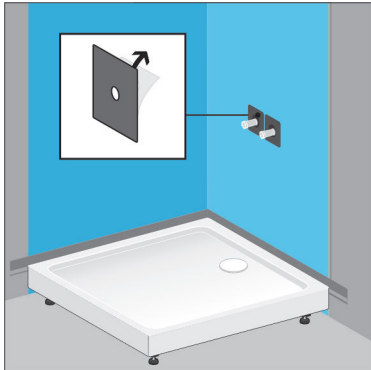
B1. Clean the edge of the bathtub and attach the butyl strip of the tub sealing tape.

Carefully cut the foil in the corner area. Make sure that the tub sealing tape is not damaged in the process!
Pre-stretch the tub sealing tape for the corner area.

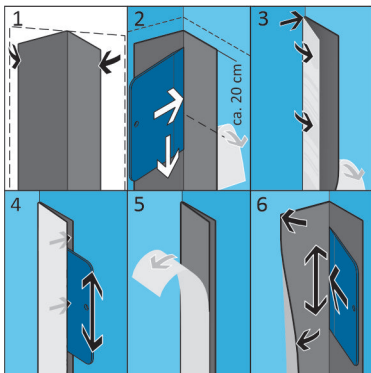


B2. Align the bathtub and glue the tub sealing tape to the wall without creases. Then press down firmly with the pressure tool.

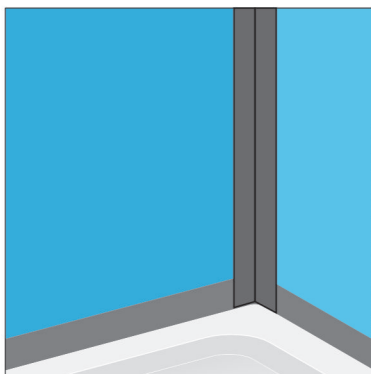
C. Sealing the transitions in the wall area



C1. Put the wall sleeves over the building plug. Remove the cover film and press down firmly with the pressing tool.

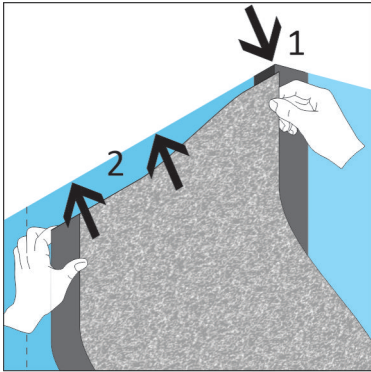


C2. Fold the corner tape (1). Remove the protective film slightly at the top (2). Place the corner tape halves over each other, place the fold in the top corner of the room (3) and press down. Press on the left half of the corner tape with a pressure tool (4). Peel off the right-hand protective film (5) and press on the corner tape with the pressure tool (6).

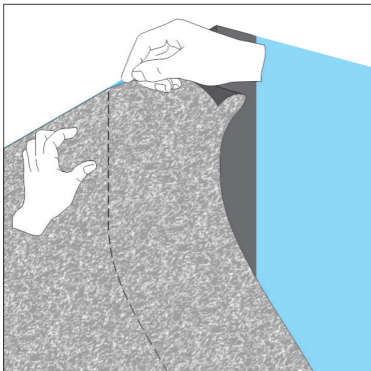


C3. Overlap the corner tape by at least 50 mm onto the tub sealing tape and press down firmly with the pressure tool.

D. Wall sealing

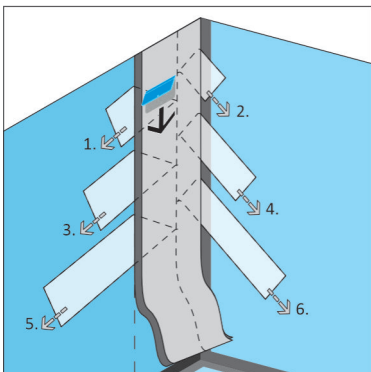


D1. Important: First measure the wall with a tape measure and cut the sealing strip to length accordingly. First hold the sealing strip at the upper edge of the edge of the corner tape (1) and align flush (2).



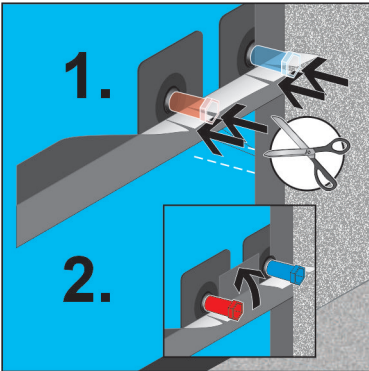
D2. The sealing sheet is slit in the middle.

Remove approx. 5 cm of the cover foil in the upper area, fix it to the wall, press on lightly and align the membrane. Then position the sealing sheet on the upper edge and overlapping on the corner tape accordingly. Attention: The sealing sheet can no longer be removed from the corner tape.

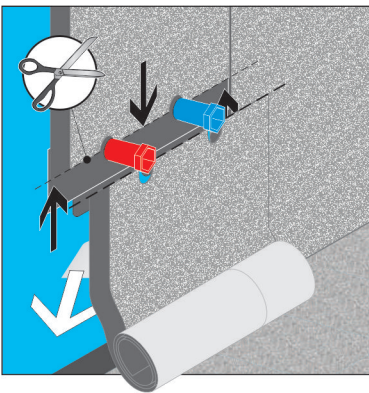


D3. Gradually pull the cover foils further down. Firmly press the sealing membrane onto the wall and corner from top to bottom using the pressure tool.

Overlap at least 50mm onto the tub sealing tape.



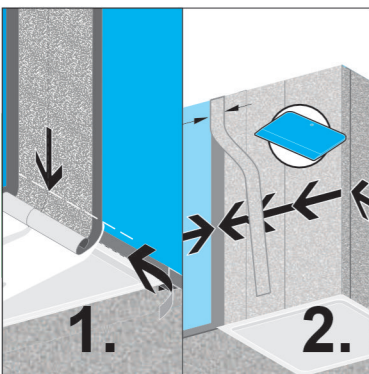
D4. Attach the folded upper half of the of the corner tape to the wall (1). The upper part of the corner tape between the building plugs can be pressed against the wall (2). Press the remaining pieces of corner tape around the plugs to the wall.



D5. Cut the sealing membrane to the middle of the pipe passages. Apply the sealing membrane overlapping on the corner tape and press on with the pressure tool

Note:

With this procedure, remaining rolls can also be processed without any problems.



D6. Overlap the sealing membrane 50mm onto the tub sealing tape and press down firmly with the pressure tool (1). At the end, glue the final tape overlapping onto the black edge and press down firmly with the pressing tool (2).

Internationally certified quality



Earthridge International Ltd.
Dowdstown Maynooth
W23 C2N2 Co. Kildare
Ireland
